

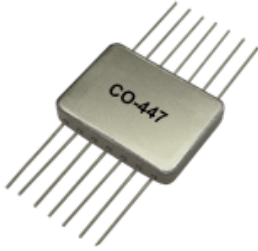


Helping Customers Innovate, Improve & Grow

Search

[XOs > CO-447](#)

CO-447 HCMOS, AC MOS and FCT Clock Oscillators



Features:

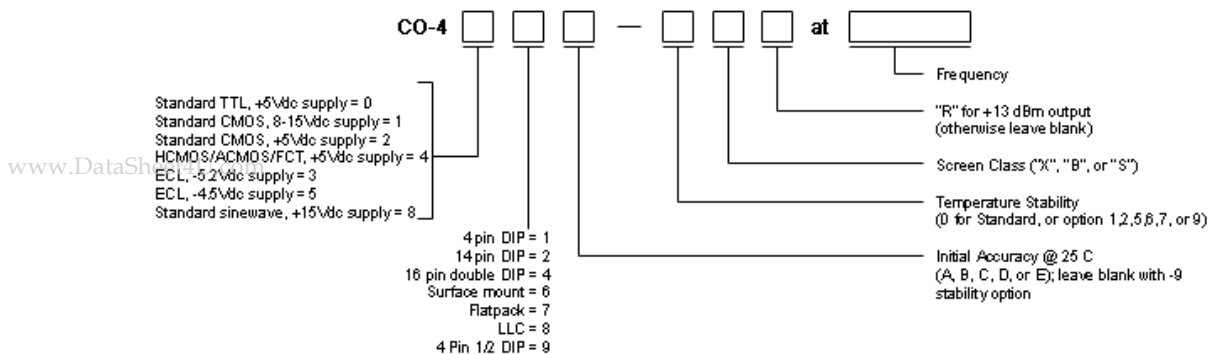
- 1 Hz to 175 MHz Frequency Range
- Low Profile 14 Pin Flatpack
- HCMOS/ACMOS/FCT/ACT Compatible
- Tri-state Output Available
- Available with 3.3 Vdc input below 20 MHz

SPECIFICATIONS																																				
Series	CO-447: Flatpack																																			
Frequency	1 Hz-175 MHz																																			
Supply	5 Vdc \pm 5% (Available with 3.3 Vdc input below 20 Mhz)																																			
Accuracy (Maximum Error at 25°C)	CO-447A \pm 50 ppm CO-447C \pm 25 ppm CO-447D \pm 15 ppm CO-447B \pm 10 ppm CO-447E \pm 1 ppm* <small>*Stability via external capacitor; (<60 MHz only; except 449E \leq 20 MHz)</small>																																			
Temperature Stability <small>Improved accuracy/stability available on some models. For example, for \pm7 ppm over 0°C to +50°C and for \pm10ppm over 0°C to +70°C. Improvement is also available over wider temperature ranges. Please contact factory.</small>	<table border="0"> <tr> <td>STANDARD:</td> <td>0°C</td> <td>to</td> <td>+70°C:</td> <td>\pm 25 ppm</td> </tr> <tr> <td>Option 1:</td> <td>-55°C</td> <td>to</td> <td>+85°C:</td> <td>\pm 50 ppm</td> </tr> <tr> <td>Option 2:</td> <td>-55°C</td> <td>to</td> <td>+125°C:</td> <td>\pm 50 ppm</td> </tr> <tr> <td>Option 5:</td> <td>0°C</td> <td>to</td> <td>+50°C:</td> <td>\pm 5 ppm</td> </tr> <tr> <td>Option 6:</td> <td>0°C</td> <td>to</td> <td>+50°C:</td> <td>\pm 10 ppm</td> </tr> <tr> <td>Option 7:</td> <td>-55°C</td> <td>to</td> <td>+125°C:</td> <td>\pm 100 ppm</td> </tr> <tr> <td>*Option 9:</td> <td>-55°C</td> <td>to</td> <td>+200°C:</td> <td>\pm 300 ppm</td> </tr> </table> <p>(Option 9: N/A in CO-448 or above 20 MHz in CO-440 Series) *Specified stability includes initial accuracy; do not specify A,B,C,D or E accuracy.</p>	STANDARD:	0°C	to	+70°C:	\pm 25 ppm	Option 1:	-55°C	to	+85°C:	\pm 50 ppm	Option 2:	-55°C	to	+125°C:	\pm 50 ppm	Option 5:	0°C	to	+50°C:	\pm 5 ppm	Option 6:	0°C	to	+50°C:	\pm 10 ppm	Option 7:	-55°C	to	+125°C:	\pm 100 ppm	*Option 9:	-55°C	to	+200°C:	\pm 300 ppm
STANDARD:	0°C	to	+70°C:	\pm 25 ppm																																
Option 1:	-55°C	to	+85°C:	\pm 50 ppm																																
Option 2:	-55°C	to	+125°C:	\pm 50 ppm																																
Option 5:	0°C	to	+50°C:	\pm 5 ppm																																
Option 6:	0°C	to	+50°C:	\pm 10 ppm																																
Option 7:	-55°C	to	+125°C:	\pm 100 ppm																																
*Option 9:	-55°C	to	+200°C:	\pm 300 ppm																																
Aging Rate (typical after 30 days)	3 ppm first year 2 ppm/year thereafter																																			

[top of page](#)

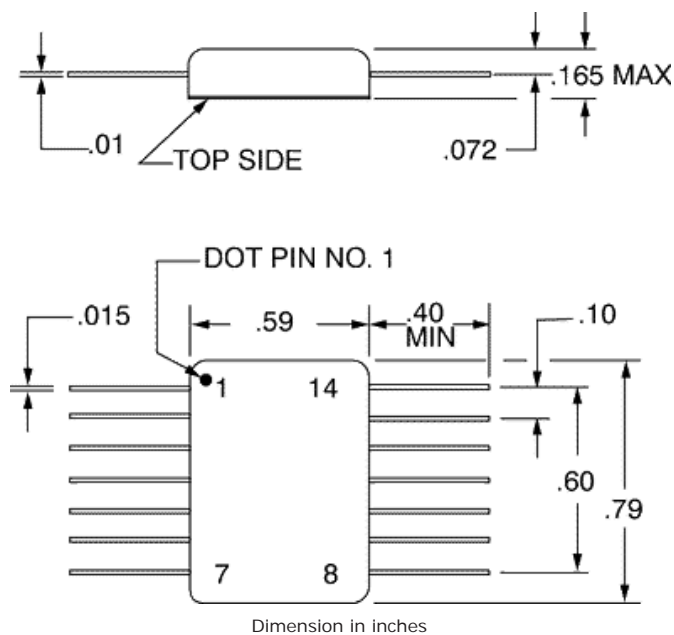
How to Order Hybrid XO's - CO-400 Series

(Note: Not all combinations possible. See above for appropriate options.)



SCREEN TESTING OF ABOVE MODELS					
SCREEN TEST	MIL-STD-883 METHOD	Standard		Options	
		CLASS X	CLASS D	CLASS B	CLASS S
Stabilization Bake (150°C)	—	X	X	X	Class S screen test requirements include 24 hour additional bake-out, 80 hour additional burn-in, thermal shock, PIND test and radiographic inspection in addition to Class B Screening. Has major cost impact.
Seal Test (Gross and Fine)	1014, Cond A2	X	X	X	
Temperature Cycling (Thermal Shock)	1010, Cond B		X	X	
Burn-in, operating 160 hours @125°C	—		X	X	
Acceleration (5000g in Y ₁ axis)	2001, Cond A			X	

[top of page](#)



Pinouts

Pin	Function
1	*N/C
7	OV, case, gnd
8	Output
14	Supply +
Other	N/C

[top of page](#)

Copyright © 1997-2009 by Vectron International, Inc., [A Dover Company](#).
 Vectron International's [Terms and Conditions](#).
 The most recent change to this page occurred 02/11/2009